



MX317dn

## Lexmark MX317 Series

### Versatility. Compact design.

The Lexmark MX317 MFP is fast—with enterprise-worthy processing speeds that tackle printing, copying, faxing and scanning tasks in a flash. Efficient paper handling helps you improve productivity and save resources.

### Better performance in less time.

Look no further for performance at an affordable price. This system is built to improve your workflow and efficiency with ease.

**Faster processing:** Improve your print, scan and copy speeds by taking advantage of 256 MB of memory and an 800 MHz dual-core processor.



Up to 33 ppm



Network



Duplex



Eco-mode



**Reliable performance:** Easily print up to 6,000 pages per month, plus enjoy fewer maintenance hassles, thanks to our state-of-the-art paper handling.

**Keep jobs moving:** With a maximum input capacity of up to 850 sheets you won't have to add paper as often.

**Get work done quickly:** Enjoy print speeds up to 33 pages per minute, plus print or copy your first page in as little as 6.5 seconds.

### Easy to use. High quality results.

Intuitive and thoughtful features put high quality output at your fingertips. From sharp graphics to convenient controls, it's easy to get professional results.

**High resolution graphics:** With up to true 1200x1200 dpi resolution, images and graphics stay crisp. Lexmark's Unison™ Toner ensures consistent quality, too.



**Innovative toner that optimises performance:** Get greater system performance with Lexmark's Unison™ Toner, which delivers consistent image quality from first print to last.

**Convenient control panel:** Keep on top of your printing jobs with our easy-to-read Colour LCD display.

**Print on a wide range of media:** With the ability to print on diverse materials, you can do more for your business and use less paper.

**Get more work done effortlessly.**

Quickly respond to changing business needs with our eco-friendly printers that streamline your workflow.

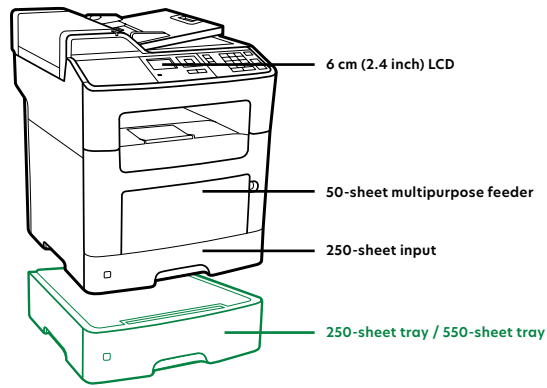
**Help workers do more:** Our system can print jobs from the network faster, so your teams stay productive.

**Enjoy enterprise-level security:** Now you can authenticate, authorise and audit employee usage. Plus, protect sensitive data using standard network security protocols.

**Save resources and the planet:** An instant warm-up fuser, built-in 2-sided printing, plus Quiet, Hibernate and Eco modes minimise noise and save paper and energy.

**Print anytime and anywhere\*:** With this system, you can print from desktops as well as mobile devices that can run applications.

\* For more information on Lexmark Mobile Solutions see: [lexmark.com/mobile](http://lexmark.com/mobile)



- Standard
- Optional

Product specifications	Lexmark MX317dn
<b>Print</b>	
Display	6 cm (2.4 inch) colour LCD display
Print Speed: Up to <sup>5</sup>	Black: 33 ppm
Time to First Page: As fast as	Black: 6.5 seconds
Print Resolution	Black: 1200 Image Quality, 1200 x 1200 dpi, 2400 Image Quality, 600 x 600 dpi
Memory / Processor	Standard: 256 MB / Maximum: 256 MB / Dual Core, 800 MHz
Hard Disk	Not Available
Recommended Monthly Page Volume <sup>2</sup>	250 - 6000 pages
Maximum Monthly Duty Cycle: Up to <sup>3</sup>	50000 pages per month
<b>Copy</b>	
Copy Speed: Up to <sup>5</sup>	Black: 33 cpm
Time to First Copy: as fast as	Black: 6.5 seconds
<b>Scan</b>	
Scanner Type / ADF Scan	Flatbed scanner with ADF / Simplex
A4/Ltr Simplex Scan Speed: Up to	Black: 42 / 43 sides per minute / Colour: 19 / 20 sides per minute
<b>Fax</b>	
Modem Speed	ITU T.30, V.34 Half-Duplex, 33.6 Kbps
<b>Supplies<sup>7</sup></b>	
Laser Cartridge Yields (up to) <sup>1</sup>	2,500-page Cartridge
Imaging Unit Estimated Yield: Up to <sup>6</sup>	60000 pages, based on 3 average letter/A4-size pages per print job and ~ 5% coverage
Cartridge(s) Shipping with Product <sup>1</sup>	2,500-page Return Program Toner Cartridge
<b>Paper Handling</b>	
Included Paper Handling	250-Sheet Input, 50-Sheet Multipurpose Feeder, 150-Sheet Output Bin, Integrated Duplex
Optional Paper Handling	250-Sheet Tray, 550-Sheet Tray, 550-Sheet Lockable Tray
Paper Input Capacity: Up to	Standard: 300 pages 75 gsm bond / Maximum: 850 pages 75 gsm bond
Paper Output Capacity: Up to	Standard: 150 pages 75 gsm bond / Maximum: 150 pages 75 gsm bond
Media Types Supported	Card Stock, Envelopes, Paper Labels, Plain Paper, Transparencies, Refer to the Card Stock & Label Guide.
Media Sizes Supported	10 Envelope, 7 3/4 Envelope, 9 Envelope, A4, A5, DL Envelope, Executive, Folio, JIS-B5, Legal, Letter, Statement, Universal, Oficio, A6
<b>General Information<sup>4</sup></b>	
Standard Connectivity	USB 2.0 Specification Hi-Speed Certified (Type B), Ethernet 10/100BaseTX (RJ-45), also works with 1000Base-T
Optional Network Ports	External MarkNet™ N7020e Gigabit Ethernet, MarkNet N8352 802.11b/g/n Wireless
Noise Level: Operating	Print: 53 dBA / Copy: 54 dBA / Scan: 55 dBA
Specified Operating Environment	Temperature: 16 to 32°C (60 to 90°F), Humidity: 8 to 80% Relative Humidity, Altitude: 0 - 2896 Meters (9,500 Feet)
Product Guarantee	1-Year Exchange, Onsite Service, Next Business Day
Size (mm - H x W x D) / Weight	468 x 399 x 472 mm / 20.0 kg

<sup>1</sup>Average standard page yield value declared in accordance with ISO/IEC 19752. <sup>2</sup>"Recommended Monthly Page Volume" is a range of pages that helps customers evaluate Lexmark's product offerings based on the average number of pages customers plan to print on the device each month. Lexmark recommends that the number of pages per month be within the stated range for optimum device performance, based on factors including: supplies replacement intervals, paper loading intervals, speed, and typical customer usage. <sup>3</sup>"Maximum Monthly Duty Cycle" is defined as the maximum number of pages a device could deliver in a month using a multishift operation. This metric provides a comparison of robustness in relation to other Lexmark printers and MFPs. <sup>4</sup>Printers are sold subject to certain license/agreement conditions. See [www.lexmark.com/printerlicense](http://www.lexmark.com/printerlicense) for details. <sup>5</sup>Print and copy speeds measured in accordance with ISO/IEC 24734 and ISO/IEC 24735 respectively (ESAT). For more information see: [www.lexmark.com/ISOspeeds](http://www.lexmark.com/ISOspeeds). <sup>6</sup>Actual Yield may vary based on other factors such as device speed, paper size and feed orientation, toner coverage, tray source, percentage of black-only printing and average print job complexity. <sup>7</sup>Product functions only with replacement cartridges designed for use in a specific geographical region. See [www.lexmark.com/regions](http://www.lexmark.com/regions) for more details.



[www.lexmark.com](http://www.lexmark.com)

© 2017 Lexmark and the Lexmark logo are trademarks of Lexmark International, Inc., registered in the United States and/or other countries. All other trademarks are the property of their respective owners. ENERGY STAR® is a U.S. registered mark.